

Engineering Submittal Data

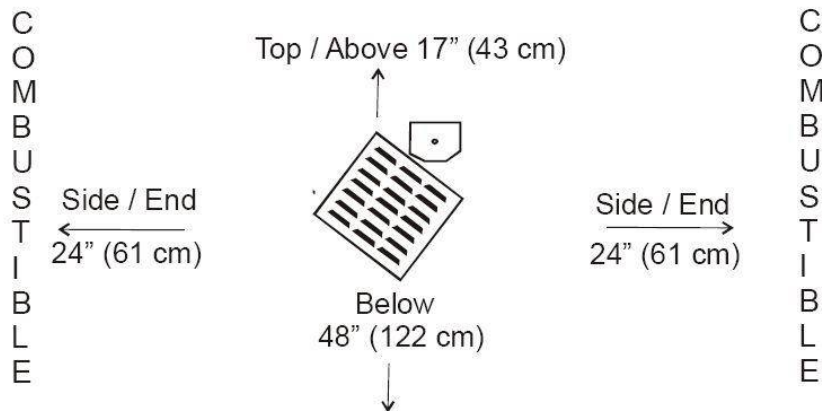
HI-30-40X2X – 110v, Manual High/Low Switch on side of unit
HI-30-40-X2XW – Internal 9v Battery Pack, Remote Control (on/off/high/low)

SPECIFICATIONS

Dimensions: 44" L x 11" W x 9.5" H

INPUT 30,000 / 40,000 BTUH
SIDES / ENDS 24" (61 cm)
ABOVE / TOP 17" (43 cm)
BELOW 48" (122 cm)

Combustible Material



Minimum Installation Height - 7'
Minimum Ceiling Height Required - 112" (Approx. 9.5')

GAS SPECIFICATIONS

<u>Pressures</u>	<u>NG</u> <u>(inches)</u>	<u>LP</u> <u>(inches)</u>
Manifold	6" w.c.	10" w.c.
Min. Inlet	7" w.c.	11" w.c.
Max. Inlet	½ psig	½ psig

ELECTRICAL SPECIFICATIONS (All models except W series)

- * 120 V.A.C., 60 Hz, 1 Ph., 3 wire
- * Supplied via 5 ft. 120v 3 wirecap and cord plug in connection
- * Ignition current – 3 amps
- * Running current – 1 amp

ELECTRICAL SPECIFICATIONS (W series)

- * 9v ignition and control package
- * Supplied by internal battery pack (4 x AA Battery)

APPROVALS

- * Intertek Warnock Hersey (WH)
- * Certified for use in Canada and the USA
- * Tested and certified at the Warnock Hersey laboratories to all applicable CAN/CGA, CSA, and ANSI standards.
- * Commercial, Industrial, and Agricultural approvals.

"NO IFS, ANDS, OR BUTS" WARRANTY

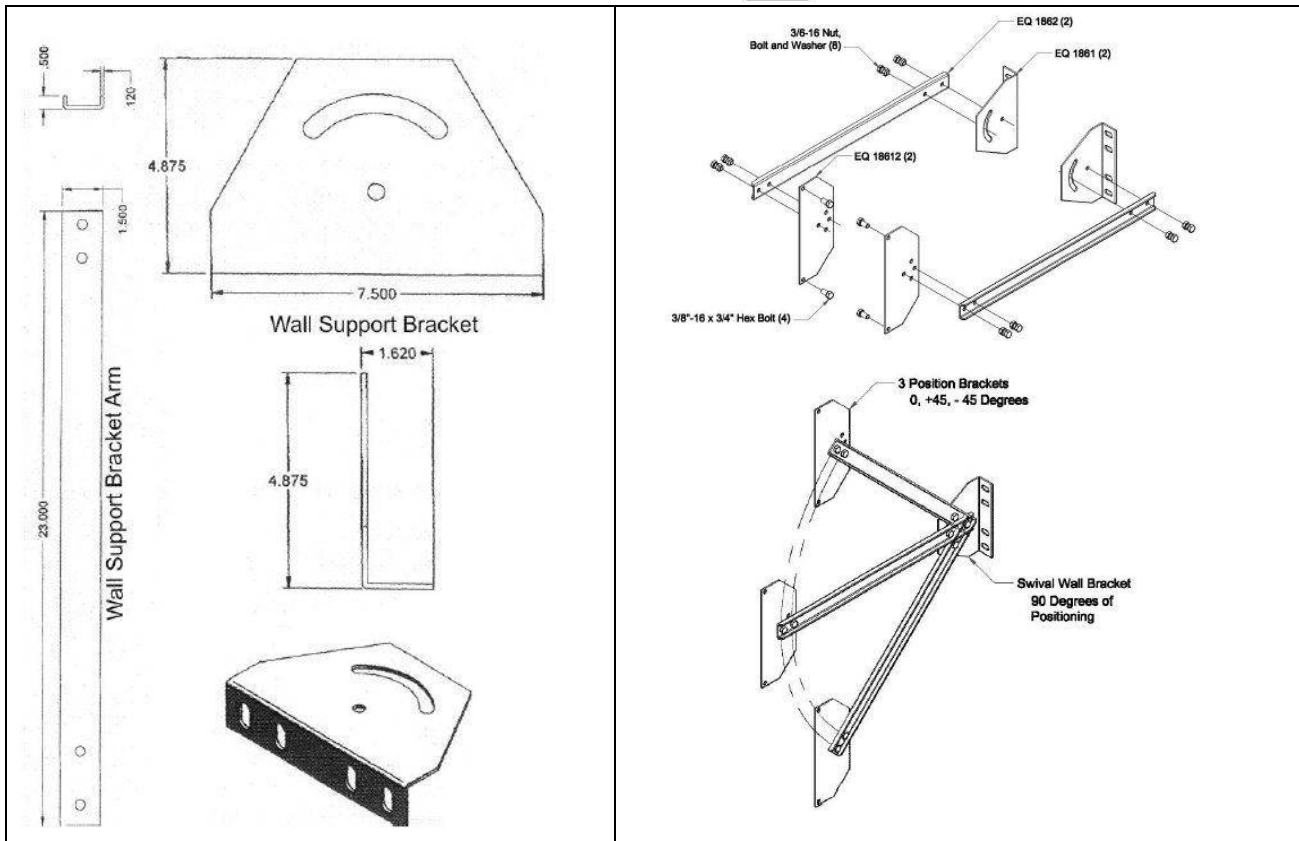
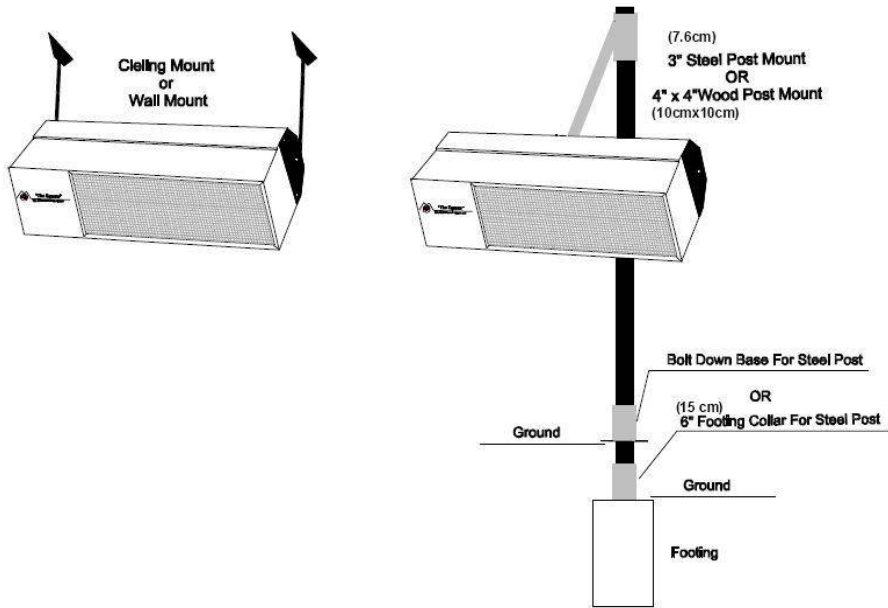
- * 4 Years on ALL heater components

**MANUFACTURED IN CANADA
WITH NORTH AMERICAN MADE
COMPONENTS AND MATERIALS**

Engineering Submittal Data

FIELD SPECIFICATIONS

Mounting Specifications



Engineering Submittal Data

CONTACT INFORMATION

SUBMITTED BY: _____	DATE: _____
<u>JOB</u>	<u>CONTRACTOR</u>
JOB TITLE: _____	COMPANY: _____
ADDRESS: _____	ADDRESS: _____
CITY: _____	CITY: _____
STATE/PROV.: _____	STATE/PROV.: _____
ZIP/POSTAL: _____	ZIP/POSTAL: _____
CONTACT NAME: _____	CONTACT NAME: _____
CONTACT NUMBER: _____	CONTACT NUMBER: _____
<u>ENGINEER</u>	<u>EQUIPMENT REPRESENTATIVE</u>
COMPANY: _____	COMPANY: _____
ADDRESS: _____	ADDRESS: _____
CITY: _____	CITY: _____
STATE/PROV.: _____	STATE/PROV.: _____
ZIP/POSTAL: _____	ZIP/POSTAL: _____
CONTACT NAME: _____	CONTACT NAME: _____
CONTACT NUMBER: _____	CONTACT NUMBER: _____

**For Technical Support / Inquiries Please Call
1-800-403-3279**

WARNING! Heaters must be installed and serviced by qualified and licensed gas personnel only. Improper installation, adjustment, alteration, service or maintenance can cause property damage, injury or death. Read the installation, operating and maintenance instructions thoroughly before installing or servicing this equipment. **This spec-sheet is not the installation manual.**



Easy Radiant “Works”

12288 Brawn Road 22, Wainfleet, Ontario, Canada L0S 1V0
 Phone: 905-899-3473 Fax: 905-899-2262
 www.easyradiantworks.com email: erw@vaxxine.com